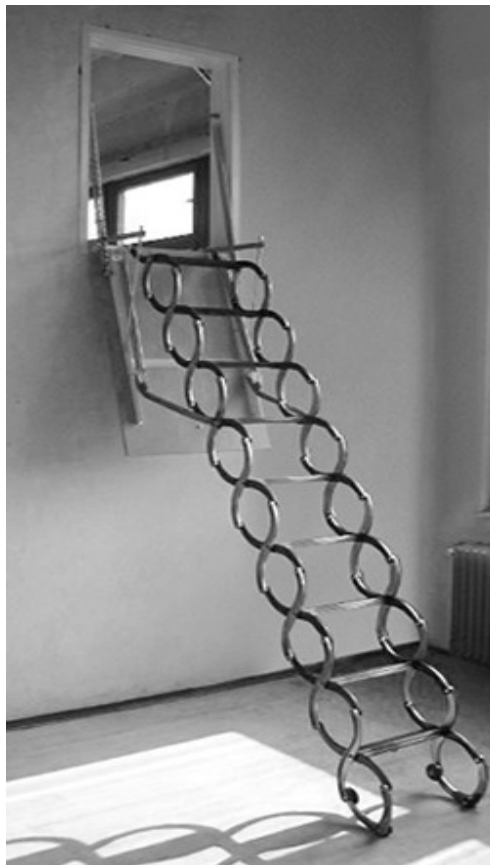


Calvert USA, Inc.

Attic Stairs

Instructions for installation of
vertical opening access stairs
Model numbers: 7035 through 7047



Calvert USA, Inc., P.O. Box 841, Solomons, MD 20688,
Tel. (410) 286-1430, www.calvertusa.com

Attention Installers: (Read all instructions prior to beginning installation.)

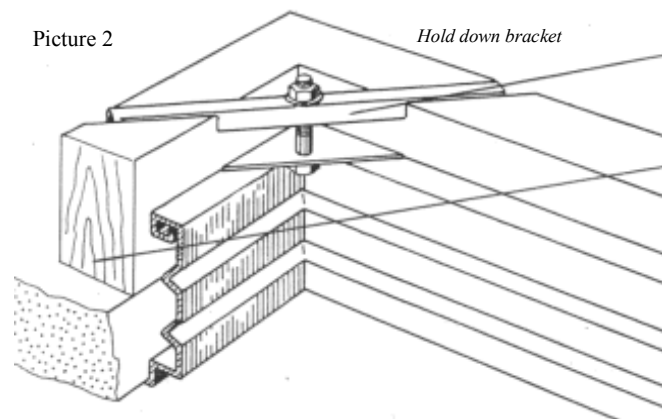
The installer is responsible for properly constructing the opening in the ceiling. If you are not sure the opening is framed properly, seek the help of a qualified person such as local building inspector, architect or structural engineer. Do not cut any framing until you are sure the structural integrity will not be compromised. You are responsible for any accidents and injuries that result from improper installation.

Do not install Calvert Vertical Opening Access Stairs until the interior wall and ceiling sheathing has been finished. Installation of Calvert Vertical Opening Access Stairs during a rough phase of construction will void the warranty. Calvert Vertical Opening Access Stairs are classified as millwork; the same as interior doors, cabinets, and trim, and should be installed just before interior painting.

Installation: requires 3 people.

1. Verify that you have the correct size rough opening in the ceiling. See table A on page 5.
2. The thickness of the wall must be at least 6" . If your wall is less than 6" thick, including sheathing, build it up by installing additional lumber around the opening. If the depth of the ceiling is more than 10" you will have to get longer bolts from your local hardware store.
3. Insert rods with threaded end into the stop arms and install nut at the end about 1/8" past the end. See picture 1.
4. Unpack the stairs. Lift the stairs into the openings.
5. Insert the bolts through hole in the corners of metal frame. Install the hold down brackets on the bolts, open side of the bracket against the wall framing. Position diagonally across the corners over wall opening framing and tighten down with supplied nuts. Make sure the hold down brackets are secured properly on framing members. No additional fastening is needed. Picture 2
6. Install eye bolt in the door panel.

Installation is completed



Adjustments:

If steps are not level, some adjustments can be done by tightening or loosening the nuts on the cover door hanger rods.

Painting:

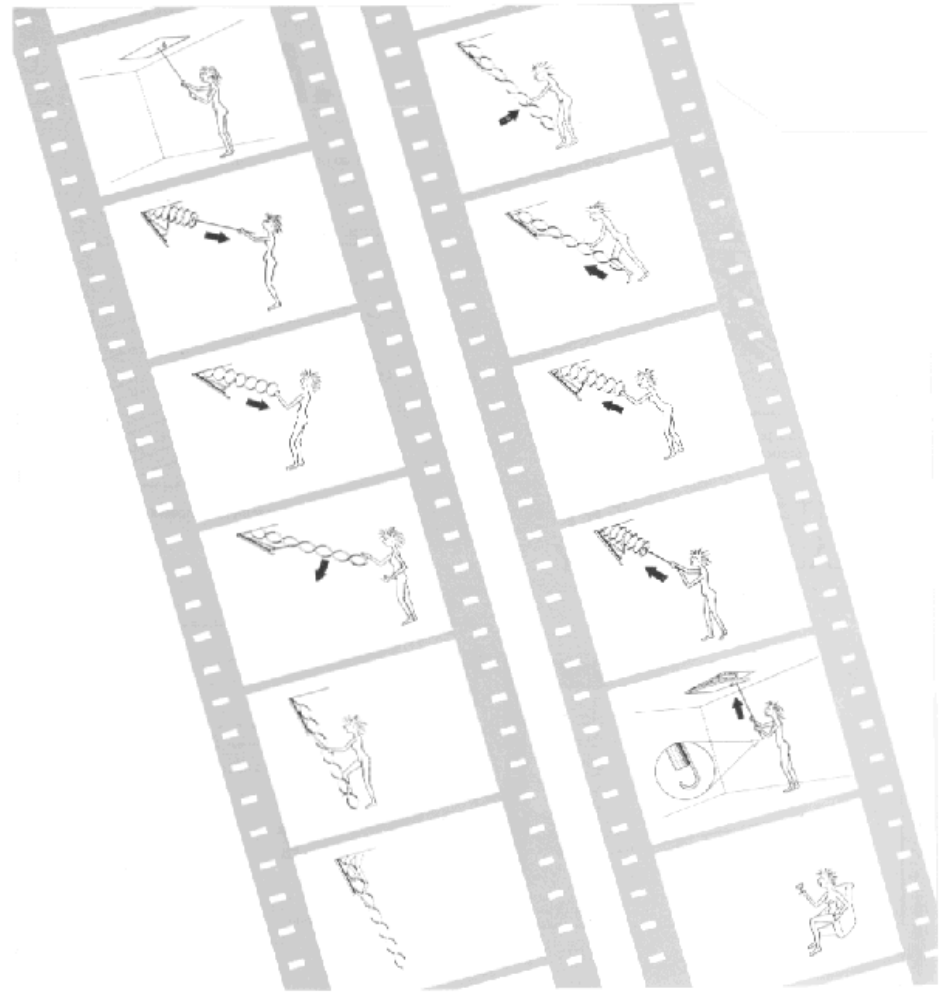
Cover door should be properly primed and painted. Metal frame and ceiling flange do not require painting. During shipping and installation, metal ceiling flange may get scratched and may require final paint coat. Any scratches should be sanded with fine sanding paper and the entire flange painted. We do not supply touch up paint. Ceiling flange is not perfectly straight. Any space between the flange and ceiling can be caulked.

Using the stairs:

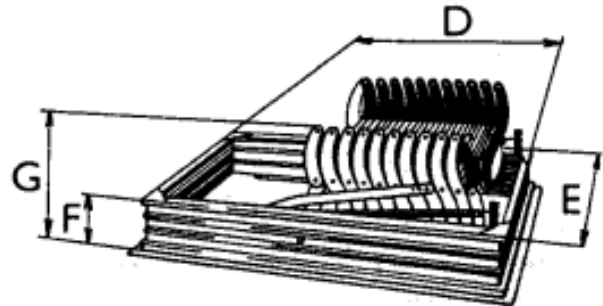
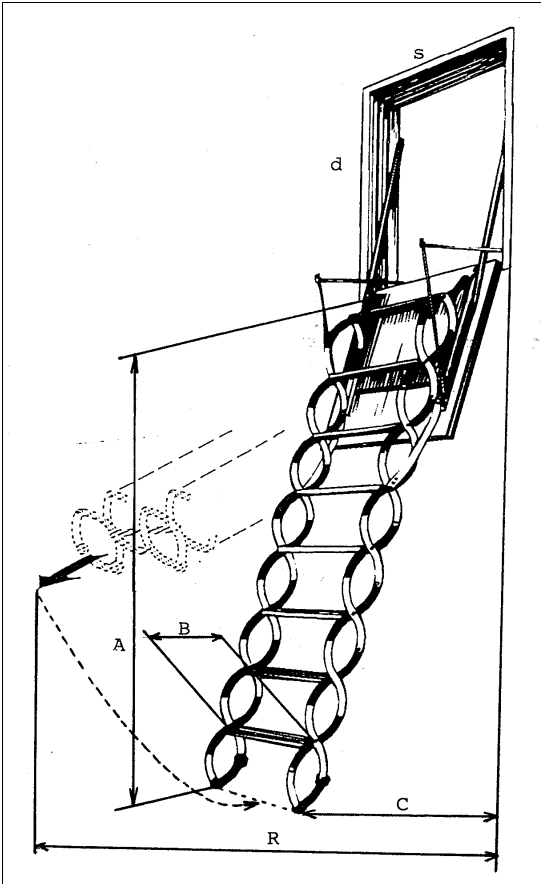
1. Insert the pull down rod hook into the eye bolt. Pull down until the cover opens.
2. Open the cover to about half way. If you can't reach the stairs with your hand use the pull down rod to pull the stairs until you can reach it.
3. Hold stairs with both hands and lower to floor.
4. The stairs are now ready for normal use.
5. To close, lift the stairs and push up until stairs are collapsed. Push the cover up with your hand as far as possible.
6. Insert the rod and hook into the eye bolt and push up until the cover is closed.

Warning:

- Do not jump on the stairs.
- Do not let the stairs get wet. Water will damage the unit.
- **Do not exceed the total weight capacity. The user and materials combined maximum weight capacity is 300 lbs.**
- There must be a handrail available in the attic next to the stair opening for the user to hold on to while using the stairs.
- Stairs should be used by adults only.



Spec sheet: Vertical opening access stairs models 7035 - 7047



F - Frame

Formed welded steel, 6" tall, white finish, ceiling flange

G - depth of folded stairs

G = 18"

B - Width of ladder

B = 17"

D - actual stair frame length

D = 0.5" less than R. O. length (d)

E - actual stair frame width

E = 3/4" less than R. O. width (s)

Step rise = 10.25" to 11.25"

Step size = 3.25" x 15"

Cover door construction:

Non-insulated cover door , 3/4" sanded particle board cover

Calvert USA, Inc., P.O. Box 841, Solomons, MD 20688,
Tel.(410) 286-1430, www.calvertusa.com
MADE IN CZECH REPUBLIC

Table A: Rough opening sizes

Model number Item - (# steps)	Rough opening width (s) x height (d)	Weight of the unit
7035 -	27-1/2" x 35-1/2"	130 lb
7039 -	27-1/2" x 39-1/2"	135 lb.
7043 -	27-1/2" x 43-3/8"	140 lb.
7047 -	27-1/2" x 47- 3/8"	145 lb.

Each model can have 8, 9 10 or 11 steps. When ordering, you will have to choose the correct number of steps for your ceiling height and complete the item number by indicating the number of steps needed for your ceiling height. Example: Item 7035 for ceiling height of 7' will require 8 steps. Therefore, the complete item number to order will be 7035 - 8. If your ceiling height is between 7' 6" and 8' 5", 9 steps is needed and the item number to order will be 7035 - 9.

Table B : Number of steps required

Number of steps	Floor to ceiling height (A)	Swing clearance (R)	Landing space (C)
8	6' 11" to 7' 6"	63"	52" to 43"
9	7' 6" to 8' 5"	70"	63" to 46"
10	8' 5" to 9' 4"	75"	68" to 50"
11	9' 4" to 10' 3"	83"	75" to 54"

Stairs with 8 steps at ceiling height of 6' 11" will require 52" landing space (C). At 7' 6" ceiling height the landing space will be 43". Note: Steps may be slightly angled at minimum and maximum ceiling height.

Warranty

Prior to requesting warranty service, contact:

Calvert USA, Inc.
P. O. Box 841
Solomons, MD 20688
Tel.(410) 286-1430
www.calvertstairs.com.

Do not install Calvert Vertical Opening Access Stairs until the interior wall and ceiling sheeting has been finished. Installation of Calvert Vertical Opening Access Stairs during a rough phase of construction will void the warranty.

We at Calvert USA, Inc. make every effort to assure that this product meets the high quality and durability standards you expect. Calvert USA, Inc. warrants to the purchaser that this product is free of defects in materials and workmanship for the period of one year from the date of purchase. This warranty does not apply to damage due to misuse, abuse, negligence, unreasonable use or alterations. We shall in no event be liable for death, injuries to persons or property, or for incidental, contingent, special or consequential damages arising from the use of our product.

Some states do not allow the exclusion or limitation of incidental or consequential damages, so the above limitations or exclusions may not apply to you. This warranty gives specific legal rights, and you may also have other rights that vary from state to state.

To take advantage of this warranty, return the product to your supplier. If it is not possible to return the product to the supplier, you can return the product us with transportation charges prepaid. Dated proof of purchase and an explanation of the problem must accompany the merchandise. If our inspection verifies the defect, we will either repair or replace the product at our election or we may elect to refund the purchase price if we can not readily and quickly provide you with a replacement. We will return the product at our expense. However, if we determine that there is no defect, or that the defect resulted from causes not within the scope of our warranty, you must bear the cost of returning the product.

Calvert USA, Inc., P.O. Box 841, Solomons, MD 20688,
Tel. (410) 286-1430 , www.calvertusa.com