

Calvert Cap™

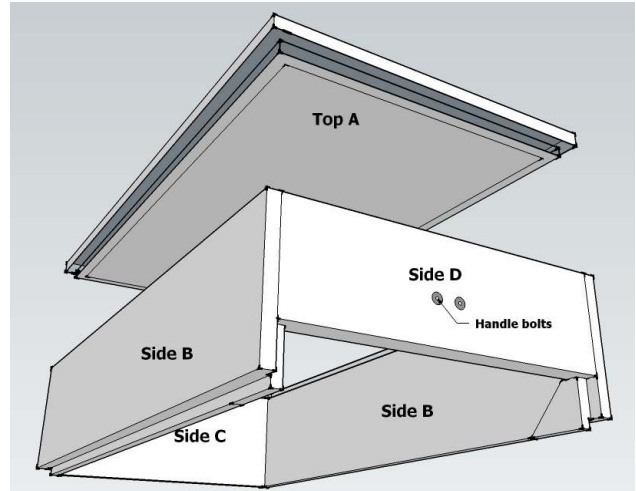
Instruction for assembly of Calvert Cap™



Calvert USA, Inc., P.O. Box 841, Solomons, MD 20688,
Tel.866-477-8455, (410) 326-8455, www.calvertusa.com

Calvert Cap™ Assembly and Use Instructions

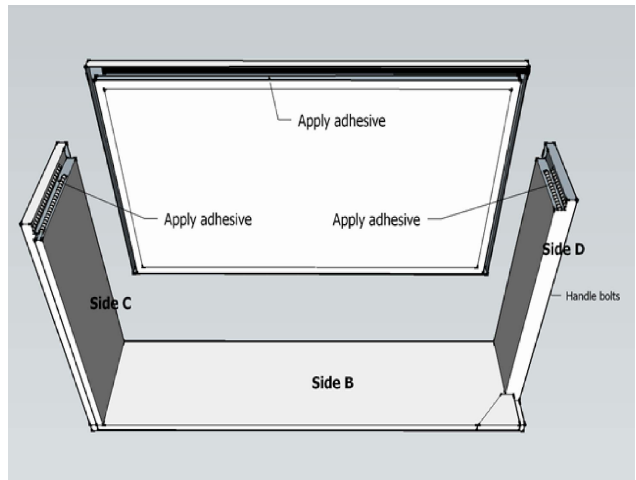
- Identify all pieces:
A: top
B: sides 2x
C: latch side of the stairs
D: hinged side of the stairs



- (Optional) Locate side D and install the grab handle. Find an approximate center of the side. Hold the handle at that location and mark the holes with a marker. Drill through the foam with 1/4" drill bit. Attach the handle with provided bolts. Use washers on both sides.

- Apply latex, acrylic adhesive caulk on the foam edges of sides C and D (the shorter pieces).

- Joint all side pieces together. Longer sides overlap the shorter ones. The top edges must be flush with each other. Tape the pieces together with masking tape until the adhesive dries.



- Apply the latex, acrylic adhesive caulk on the foam edges of the top B. Lay the top over the assembled sides and push in until the top slides in between the sides. The top will overlap the sides. Secure and hold the top down with masking tape until the adhesive dries.

- Let the adhesive dry for at least 24 hrs in a warm place before removing the masking tape or moving the Calvert Cap™ .

Calvert USA, Inc., P.O. Box 841, Solomons, MD 20688,
Tel.866-477-8455, (410) 326-8455, www.calvertusa.com

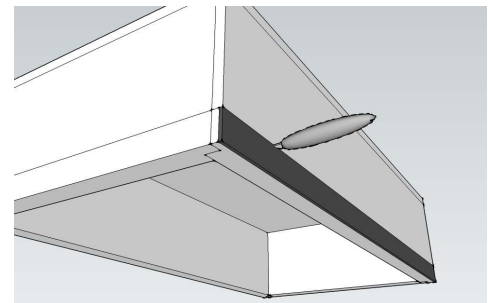
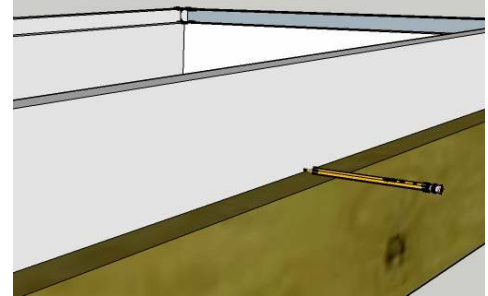
Trim to fit

If your attic floor is taller than the frame of the attic stairs, the attic cap may not fit inside of the opening, on the top of the stair frame. In that case, you will have to trim the cap as described.

If your cap is for 22.5" rough opening stairs, you can trim the narrow ends only.

- Measure the distance from the edge of the attic frame and the top of the floor in each corner of the opening.
- Transfer the distance on the attic cap. Draw a line to connect the marks.
- Use a sharp utility knife to cut the side of the box $\frac{1}{2}$ " deep. The sides are already pre cut vertically from the factory. The strip of foam should come off once you complete the $\frac{1}{2}$ " deep cut all around.

The cap should now slide down the attic opening and sit on the attic stairs frame.



Using the Calvert Cap™:

Turn the cap in the correct direction. Allow side C (the latch side of the stairs) to sit in the ladder frame while holding side D up by the handle. Lower side D down on the ladder frame. Properly fitting, the cap should slide about $\frac{3}{4}$ " down, inside of the ladder frame. To remove, lift side D by the handle first, then continue lifting the cap.

Calvert USA, Inc., P.O. Box 841, Solomons, MD 20688,
Tel.866-477-8455, (410) 326-8455, www.calvertusa.com