

Calvert USA, Inc. Attic Stairs

Instructions for installation of
Aluminum telescopic pull down attic stairs for existing openings
Model numbers: 3040 to 3042



Calvert USA, Inc., P.O. Box 841, Solomons, MD 20688
Tel.866-477-8455, www.calvertusa.com

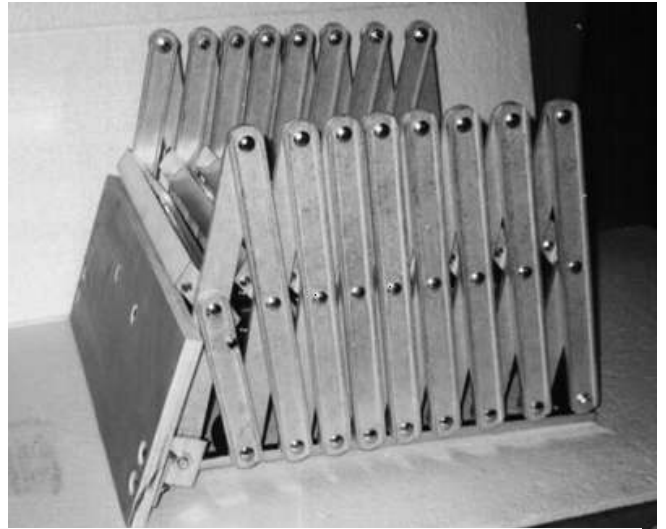
Attention Installers: (Read all instructions prior to beginning installation.)

The installer is responsible for properly constructing the opening in the ceiling. If you are not sure the opening is framed properly, seek the help of a qualified person such as local building inspector, architect or structural engineer. Do not cut any framing until you are sure the structural integrity will not be compromised. You are responsible for any accidents and injuries that result from improper installation.

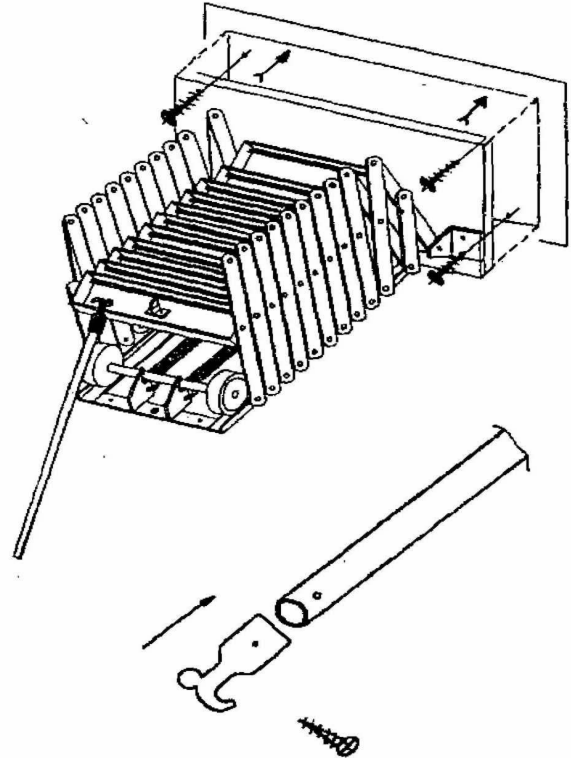
Do not install Calvert Attic Stairs until the interior wall and ceiling sheeting has been finished. Installation of Calvert Attic Stairs during a rough phase of construction will void the warranty. Calvert Attic Stairs are classified as millwork; the same as interior doors, cabinets, and trim, and should be installed just before interior painting.

Installation: requires 2 people.

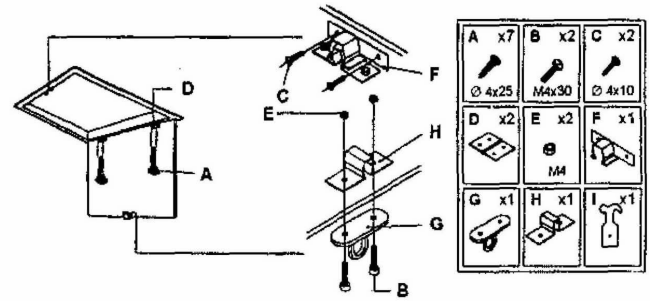
Each unit is inspected before shipping. It may appear that the steps are installed backwards, they are not. When installed and folded for storage the unit will point upward. When fully extended to the floor steps will turn to correct position.



1. Aluminum telescopic pull down attic stairs for existing openings model numbers 3040 through 3042 are supplied without frame and cover. These models are intended for existing openings which already have trim and finished frame installed. New cover may have to be fabricated and installed by the installer. Cover hinges and hardware is included.
2. Remove stair unit, pull down rod and cover hardware from the box. Do not try to extend the stairs until the installation is completed.
3. Make sure that the ceiling joist the stairs will be attached to is secured to the ceiling joist system and is minimum 2 x 8 lumber. The installer is responsible for installation and inspection of the ceiling joist to which the stairs will be attached to. The joist has to be capable of supporting the weight of the stair unit and the user.
4. Lift the folded stair with the mounting board attached to unit into the opening. Attach mounting board to the ceiling joist using six bolts or wood screws. Use washers or large head fasteners to prevent pulling of the fasteners through the board. Springs will keep stairs in the closed position.
5. Use supplied hardware to attach cover (not supplied) to the opening frame. Do not attach the cover to the stairs.



6. Do not use the supplied pull down rod to extend the stairs until you try to extend the unit while holding it with your hand. It is important to understand how the stairs extend before using the pull down rod. To operate the stairs, pull on the front of the unit, the entire unit swings down toward the floor, stairs will remain folded. Push the lower step up slightly to unhook it from the frame and pull down to extend. Stairs are not assisted by springs, they are easy to extend and retract without the assistance of springs, only the storage frame is spring loaded and the springs keep the unit in the in upward position while not in use. Do not push the spring loaded frame away from the steps, let it rest against the bottom of stairs.

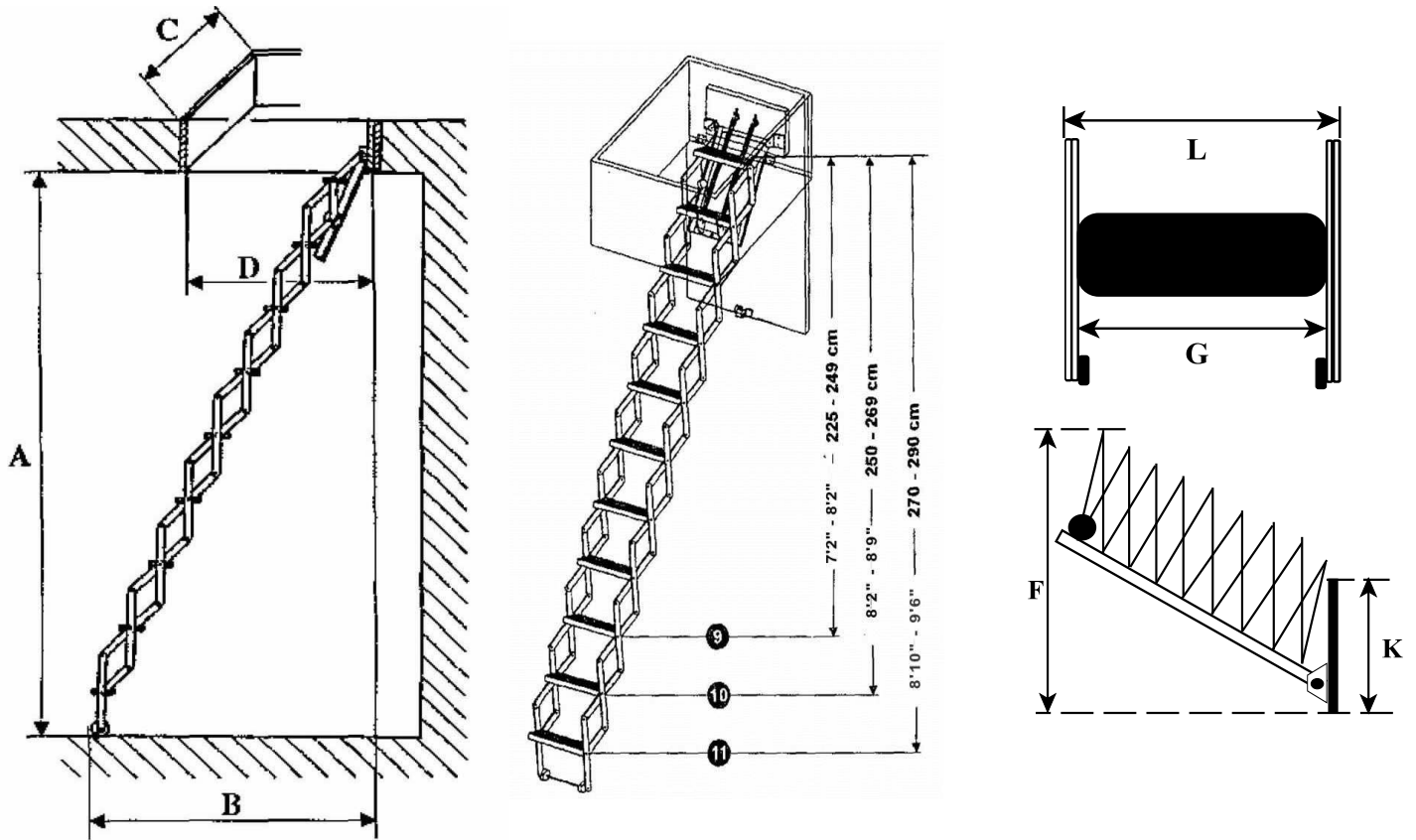


The installation is finished.

Maintenance:

Occasionally it may be necessary to lubricate the ladder with a spray lubricant. If the ladder opens too easy or is hard to unfold, tighten or loosen the bolts of each section just a fraction of a turn to correct.

Spec sheet: Aluminum telescopic attic stairs models 3040 - 3042



F - Attic space required

F = 18" from bottom of mounting board

L - Width of stair ladder

L = 15"

K - Mounting board

K = Plywood 3/4" x 8" x 18"

G - Step size

G = 3-1/8" x 13-1/2"

Aluminum telescopic stairs for existing openings						
Model No.	Number of Steps	(A) Floor to Ceiling height	*(C, D) Minimum rough opening size	(B) Swing clearance	(E) Landing Space	Weight of the unit
3040	9	7' 2" to 7' 7"	18" x 22.5"	36"	36"	32 lb
3041	10	7' 7" to 8' 4"	18" x 22.5"	40"	40"	34 lb
3042	11	8' 4" to 9' 1"	18" x 22.5"	50"	50"	36 lb

* Note: This is minimum opening for stairs to operate, larger opening will work as well. When extended, stairs will take up 8" x 18" space in the opening.

Calvert USA, Inc., P.O. Box 841, Solomons, MD 20688

Tel.866-477-8455, www.calvertusa.com

MADE IN CZECH REPUBLIC

Warranty

Prior to requesting warranty service, contact:

Calvert USA, Inc.
P. O. Box 841
Solomons, MD 20657
Tel.(866)-477-8455
E-mail us at info@calvertusa.com.

Do not install Calvert Attic Stairs until the interior wall and ceiling sheeting has been finished. Installation of Calvert Attic Stairs during a rough phase of construction will void the warranty.

We at Calvert USA, Inc. make every effort to assure that this product meets the high quality and durability standards you expect. Calvert USA, Inc. warrants to the purchaser that this product is free of defects in materials and workmanship for the period of one year from the date of purchase. This warranty does not apply to damage due to misuse, abuse, negligence, unreasonable use or alterations. We shall in no event be liable for death, injuries to persons or property, or for incidental, contingent, special or consequential damages arising from the use of our product.

Some states do not allow the exclusion or limitation of incidental or consequential damages, so the above limitations or exclusions may not apply to you. This warranty gives specific legal rights, and you may also have other rights that vary from state to state.

To take advantage of this warranty, return the product to your supplier. If it is not possible to return the product to the supplier, you can return the product us with transportation charges prepaid. Dated proof of purchase and an explanation of the problem must accompany the merchandise. If our inspection verifies the defect, we will either repair or replace the product at our election or we may elect to refund the purchase price if we can not readily and quickly provide you with a replacement. We will return the product at our expense. However, if we determine that there is no defect, or that the defect resulted from causes not within the scope of our warranty, you must bear the cost of returning the product.